

MODEL 90 Modular WOOD-FIRED OVEN



- ▶ 35" Interior cooking diameter
- ▶ Wall and dome elements are a dense superior high temperature refractory material composed of 80% alumina and other advanced elements for extra durability, heat retention and longevity.
- ▶ High Thermal Mass for excellent heat retention.
- ▶ Hearth Floor Tiles - "Pierre de Boulanger" are cold pressed at 8,500 psi and ceramitized at 2800F degrees.
- ▶ Large oven entrance opening allows for maximum visibility and easy usage.
- ▶ Shipping Weight: 1,200 lb

Model 90 Modular Oven Includes:

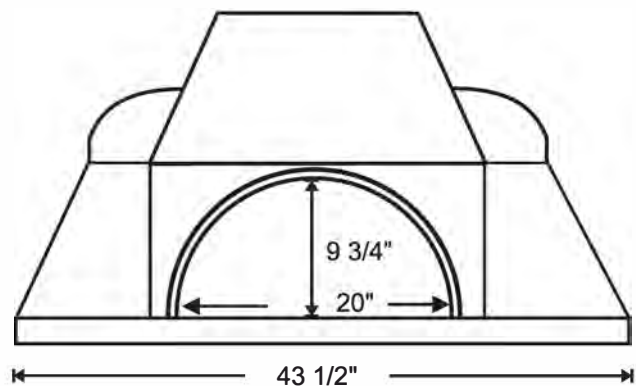
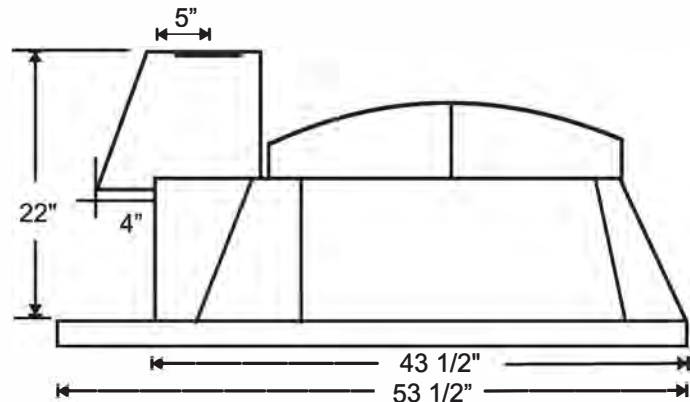
Floor Tiles (18)

3 - 12" X 6"
15 - 12" X 12"

Oven Pieces:

Primary Hood
Dome Pieces (2)
Side Wall Pieces (3)
Front Entrance Piece

Steel Entrance Plate (black)
Thick Cast Aluminum Door
Dial Temperature Gauge (probe 3ft)
Refractory Cement (22 lb / 10 kg Bag)
Galvanized Metal Flashing
High Heat Silicone Tube
Plywood Spacers
Refractory Cement (container)
Package of Fire Starters
Stainless Steel Pizza Peel
4" x16" Screened Vent
Installation Instructions and Video/DVD



EARTHSTONE
WOOD-FIRE OVENS

6717 San Fernando Road
Glendale CA 91201

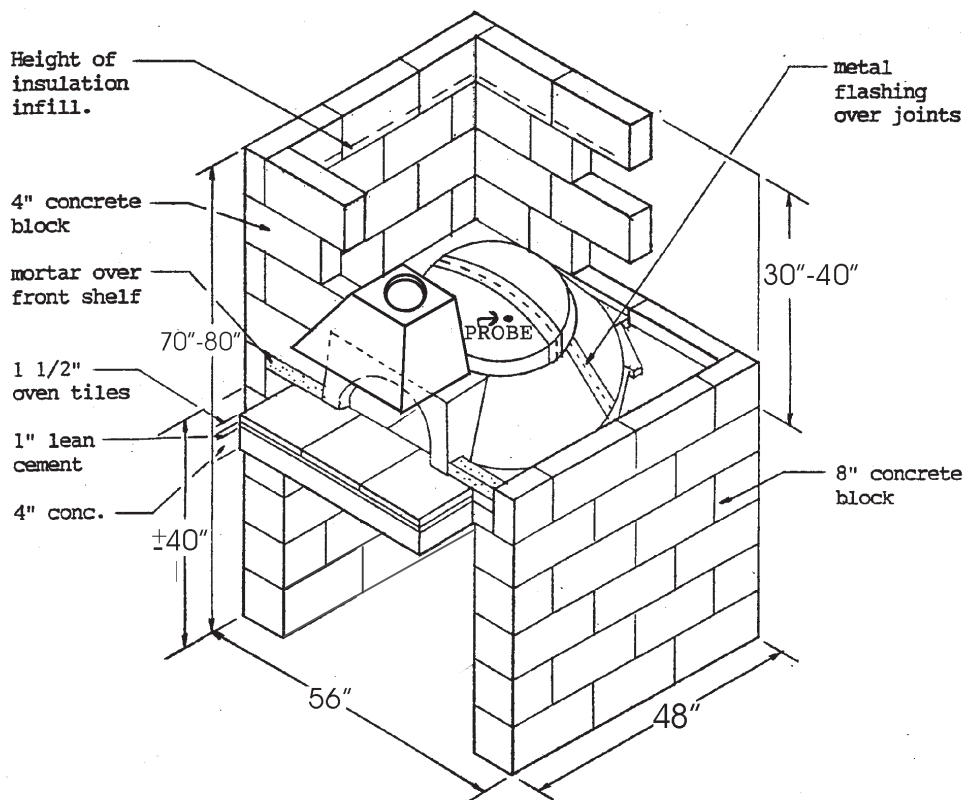
Tel: 800-840-4915 - 818-553-1134
earthstoneovens.com



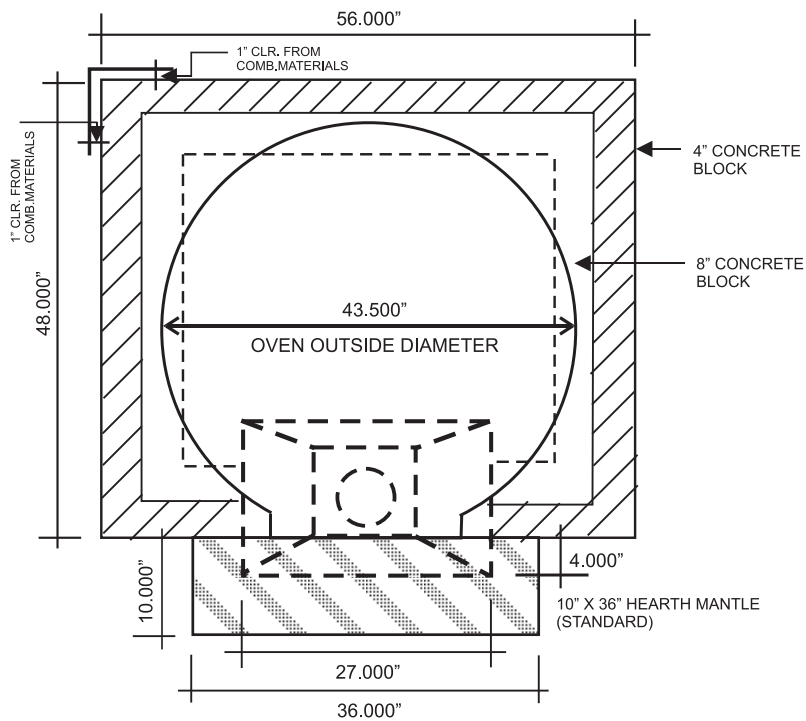
MODEL 90 Modular

WOOD-FIRED OVEN

Concrete Block Assembly



Top View



EARTHSTONE
WOOD-FIRE OVENS

6717 San Fernando Road
 Glendale CA 91201
 Tel: 800-840-4915 - 818-553-1134
 earthstoneovens.com