

## MODEL 110 Modular WOOD-FIRED OVEN



- ▶43" Interior cooking area
- ▶Wall and dome elements are a dense superior high temperature refractory material composed of 80% alumina and other advanced elements for extra durability, heat retention and longevity.
- ▶High Thermal Mass for excellent heat retention.
- ▶Hearth Floor Tiles - "Pierre de Boulanger" are cold pressed at 8,500 psi and ceramitized at 2800F degrees.
- ▶Large oven entrance opening allows for maximum visibility and easy usage.
- ▶Shipping Weight: 1,700 lb

### Model 110 Modular Oven Includes:

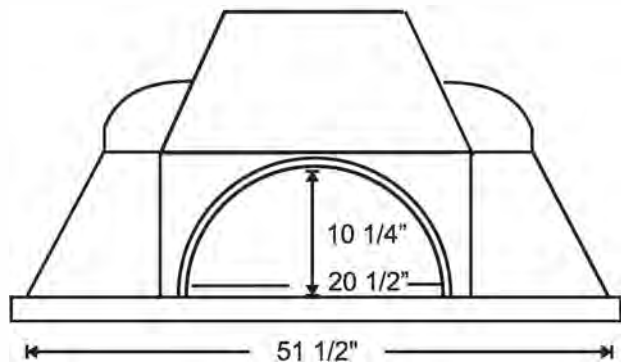
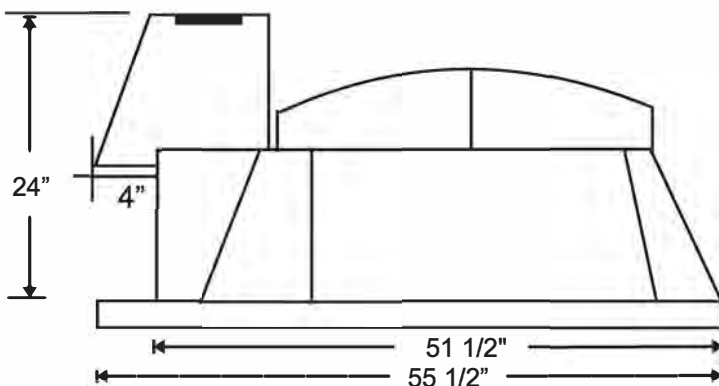
#### Floor Tiles (25)

5 - 12" X 6"  
20 - 12" X 12"

#### Oven Pieces:

Primary Hood  
Dome Pieces (2)  
Side Wall Pieces (4)  
Front Entrance Piece

Steel Entrance Plate (black)  
Thick Cast Aluminum Door  
Dial Temperature Gauge (probe 4ft)  
Refractory Cement (22 lb / 10 kg Bag)  
Galvanized Metal Flashing  
High Heat Silicone Tube  
Plywood Spacers  
Refractory Cement (container)  
Package of Fire Starters  
Stainless Steel Pizza Peel  
4" x16" Screened Vent  
Installation Instructions and Video/DVD



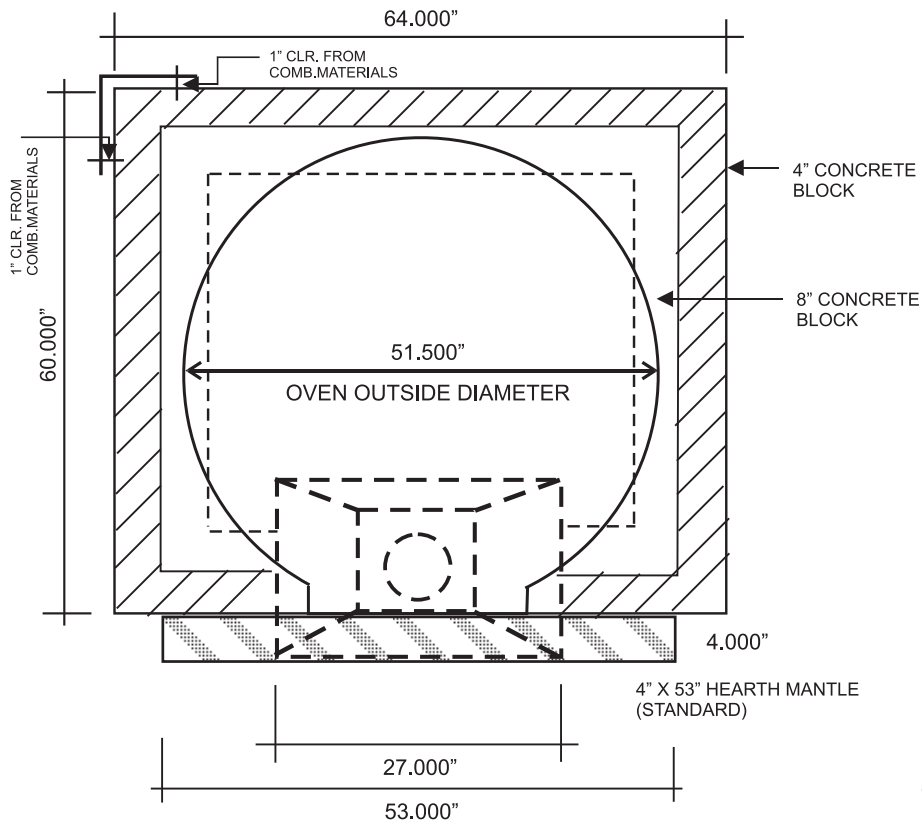
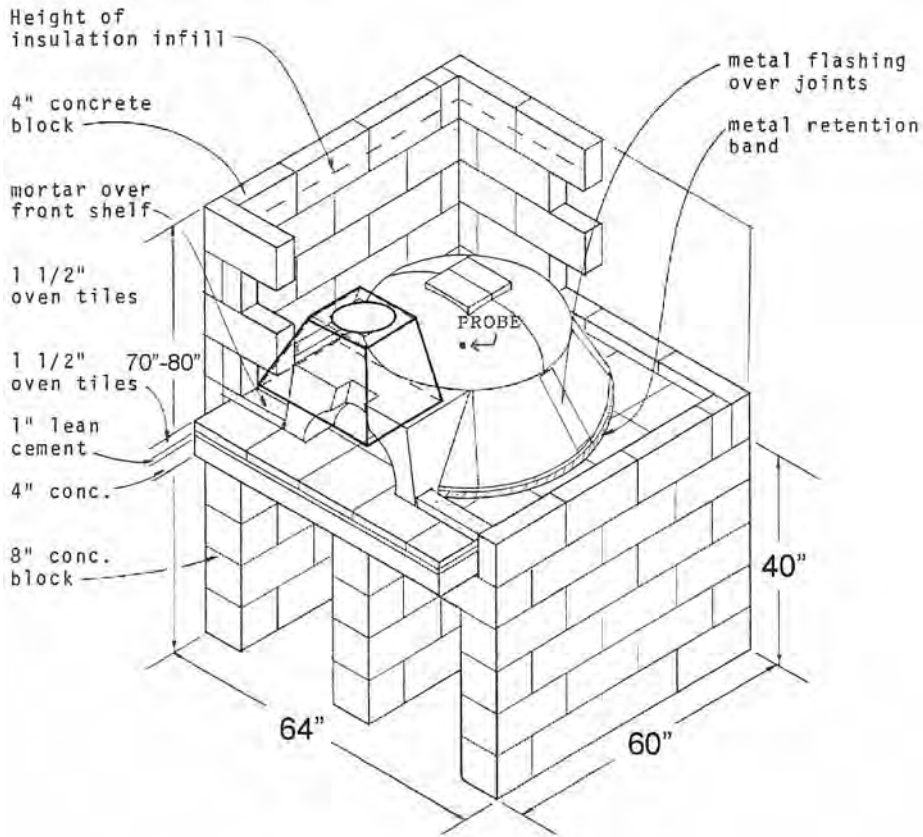
**EARTHSTONE**  
*WOOD-FIRE OVENS*

6717 San Fernando Road  
Glendale CA 91201

Tel: 800-840-4915 - 818-553-1134  
earthstoneovens.com



# MODEL 110 MODULAR OVEN



**EARTHSTONE**  
**WOOD-FIRE OVENS**

6717 San Fernando Road  
 Glendale CA 91201  
 Tel: 800-840-4915 - 818-553-1134  
 earthstoneovens.com