

MODEL 130-PACB

COAL BURNING OVEN

The Model 130-PACB Oven has a 52" interior cooking diameter and a 26" wide by 14" high oven entrance. The body parts are a cast 4 to 6 inch thick dense, high temperature refractory material with an 80% alumina content and additional special additives which stop deterioration from acids emitted by wood and coal combustion. The Model 130-PACB oven has a 1-inch side clearance to combustible materials. Total weight 5000 lb.

The oven incorporates an innovative coal grate, air induction and removable ash disposal bin which is designed to enhance combustion.

The steel support frame and enclosure are constructed of heavy gauge welded tube steel and angle iron members. All precisely fabricated and attractively designed. The void area between the cast oven body and steel circular enclosure is entirely filled with 4 to 20 inches of a hardened lightweight insulation mixture, which forms a secondary molded body. The combination of our thick cast refractory body and an outer insulation shell maximizes the thermal mass or heat storage capacity of the oven which allows for an extremely efficient oven that cooks at even non fluctuating temperatures.

The temperature probe is placed 4 1/2" into the dome or top of the oven in lieu of on the floor in order to avoid temperature readout fluctuations caused by food items placed on the floor.

Pizza Capacities:

- 8" Pizzas: 9-10
- 12" Pizzas: 6-7
- 16" Pizzas: 3-4



Total weight: 5000 lb.

Electrical Requirement: 120 VAC/ 3 AMP



The hearth floor tiles, "Pierre de Boulanger" (Bakers Tiles), which are used in industrial bread baking ovens all across Europe, are refractory material pressed at 8,500 p.s.i. and kiln fired at 2,800 degrees which ceramitizes the material to create a hard and extremely durable tile. Both the body pieces and floor tiles are cast and assembled individually which allows for continuous joints throughout the entire oven. This greatly reduces the possibility of stress cracks due to normal heat expansion and contraction. In addition this allows the ovens to be serviceable which extends their usable life.

Ovens come standard with:

- Factory finished gray paint
- Mechanical Thermometer (0-1000F)
- Coal Grate and combustion fan
- Ash disposal chute and removable storage bin
- Cast Aluminum door
- Granite shelf
- Hood cover (s/s or copper)
- Shelf apron (s/s or copper)
- S/S Flue adapter
- Metal pizza peel
- 5 year limited warranty

Custom options and finishes available



EARTHSTONE OVENS

WOOD, GAS & COAL FIRE OVENS

6717 San Fernando Rd. Glendale CA 91201
Tel: 800-840-4915 - 818-553-1134 Fax: 818-553-1133
www.earthstoneovens.com

Specifications to change without notice. revised January 2018



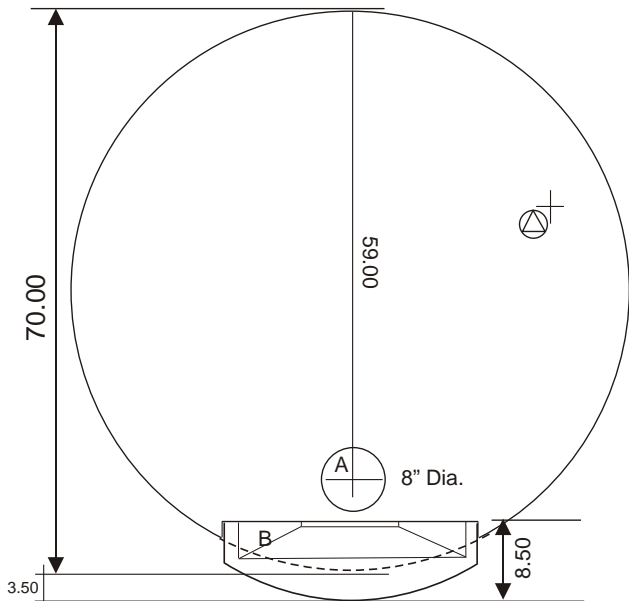
MODEL 130-PACB (Coal Fire Oven)

JOB:

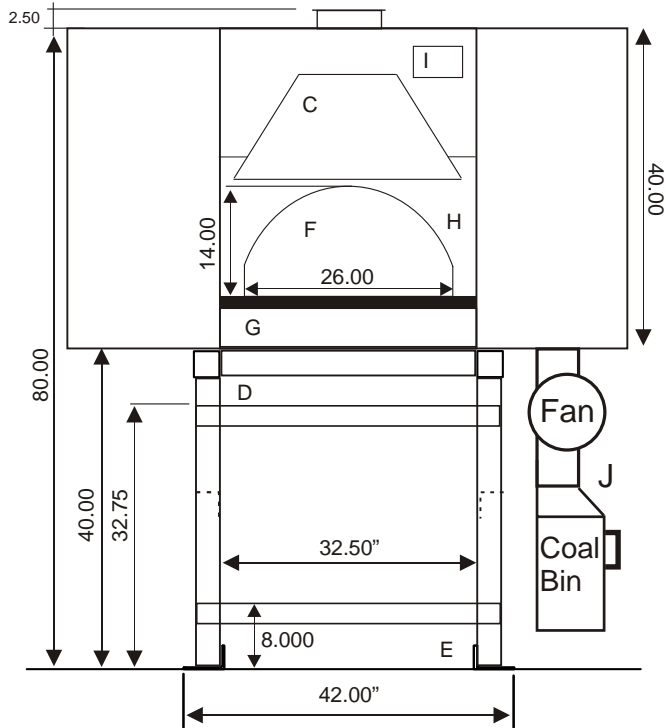
ITEM:

FUEL:

PLAN VIEW



FRONT VIEW



Utilities - 120 VAC / 3 AMP (240VAC available)

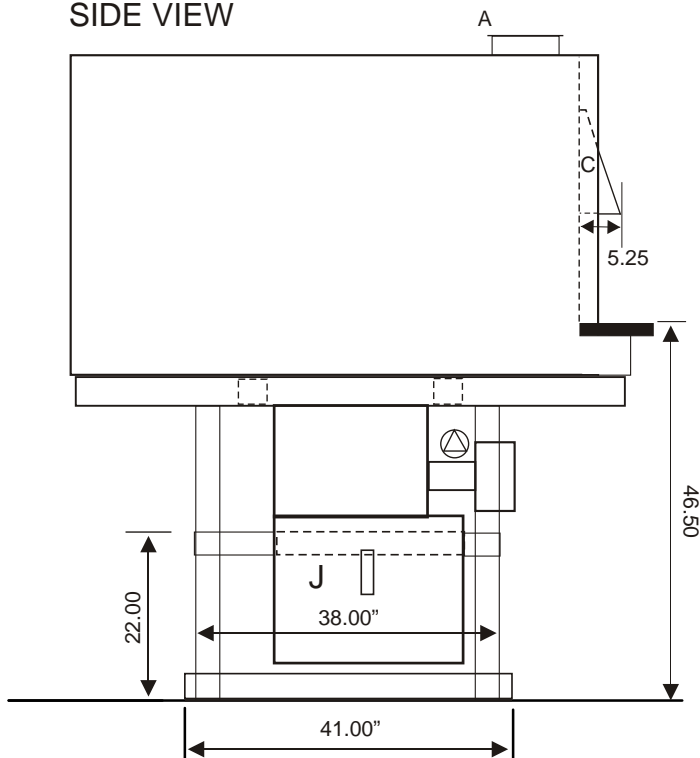
Weight - 5,000 Lbs

- A - Flue Collar (8" Dia.)
- B - Granite Mantle (Black)
- C - Primary Hood Cover (Stainless or Copper)
- D - Forklift Here
- E - Pallet Jack Here
- F - Oven Entrance (26.00 x 14.00)
- G - Apron (Stainless or Copper)
- H - Front Entrance Plate (Black)
- I - Dial Thermometer
- J - Ash Bin and Fan

Venting applications for commercial use:

ETL/U.L. Listed grease duct/building heating appliance chimney or ETL/U.L. Listed Type I exhaust hood.

SIDE VIEW



Revised February 2018

Earthstone Ovens, Inc.
6717 San Fernando Rd
Glendale CA 91201 USA

Toll Free (800) 840-4915
Tel (818) 553-1134
Fax (818) 553-1133

info@earthstoneovens.com
www.earthstoneovens.com