



# EARTHSTONE

---

## WOOD-FIRE OVENS

### COMMERCIAL VENTING APPLICATIONS

THERE ARE TWO METHODS OF VENTING THAT ARE ACCEPTABLE TO USE WITH THE OVEN. THE METHODS ARE A U.L. LISTED GREASE DUCT/BUILDING HEATING APPLIANCE CHIMNEY INSTALLATION (DIRECT VENTING) AND TYPE-I EXHAUST HOOD INSTALLED PER NFPA 96 AND THE UMC. DETERMINE WHICH METHOD OF VENTING IS ACCEPTED BY THE LOCAL BUILDING DEPT. BEFORE BEGINNING INSTALLATION OF THE OVEN. RESIDENTIAL APPLICATIONS WILL USE THE DIRECT VENTING METHOD. *IT IS NEVER APPROPRIATE TO USE "CLASS A" OR "B VENT" IN ANY PART OF THE EXHAUST SYSTEM. EXHAUST SYSTEMS SERVING SOLID-FUEL EQUIPMENT MAY NOT BE COMBINED WITH EXHAUST SYSTEMS SERVING OTHER (NON-SOLID FUEL) COOKING EQUIPMENT*

**Important: Chases should be made of non-combustible materials.**

**#1 - TYPE-I EXHAUST HOOD**-Installed per NFPA 96, standard for ventilation control and fire protection of commercial cooking operations. (For commercial applications only)

If required, a Type 1 hood must be placed above the cooking opening and set on the top of the oven. The minimum exhaust hood dimensions are 36 in. wide 37 in. deep, 22in. high for models 90 and 110, and 40 in. wide, 37 in. deep and 22 inches high for models 130 and 160. Refer to Fig. 16 & 17, PG. 7 & 8.

**Duct Velocity 1500-2500 FPM - Volume: approx. 1000 CFM**

**Exhaust Fan - Exhausto GSV-014 or GSV-016**

The grease filters must be positioned at the rear of the exhaust hood and must be of the steel baffle type (Mesh type grease filters must not be used).

The front of the exhaust hood is to set forward 10 inches from the front of the oven face. The face of the filter must be a minimum of 42 inches from the oven heat per the Uniform Mechanical Codes. (UMC) or 48 inches per NFPA 96. When the exhaust hood is fabricated, it is recommended that the bottom portion which is set on the oven(sheet metal lid) be closed for ease of cleaning. Refer to Fig 16 & 17, pg. 7 & 8.

The sides of the exhaust hood must extend a minimum of 6 inches to either side of the oven door opening.

There must be a minimum of 3 inches of clearance between the hood and any combustible surface.

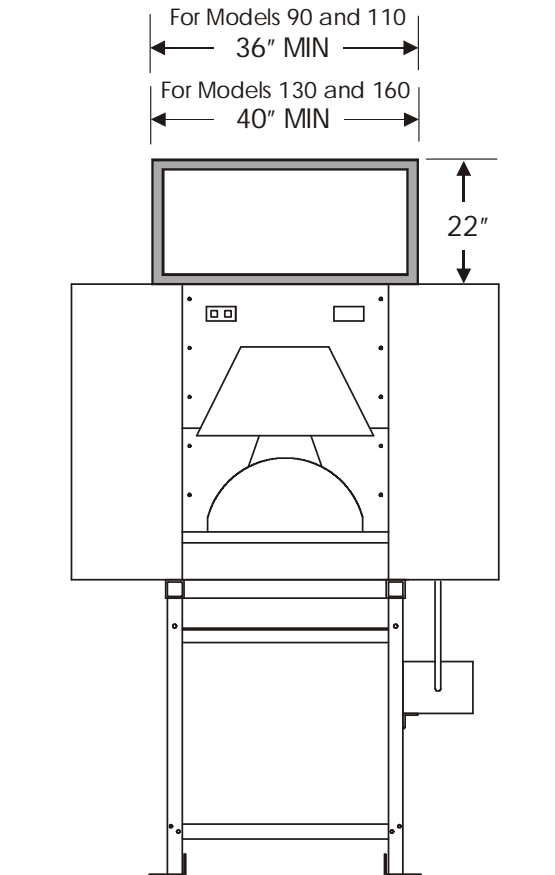
The exhaust duct is to be constructed as vertical as possible, free of offsets and horizontal runs. If a horizontal run is needed then refer to the Grease Duct/Building Heating Appliance installation section.



# EARTHSTONE

## WOOD-FIRE OVENS

### Type-I Exhaust Hood Installed per NFPA 96



**\*\*IT IS NEVER APPROPRIATE TO USE "CLASS A" OR "B VENT" IN ANY PART OF THE EXHAUST SYSTEM EXHAUST SYSTEMS SERVING SOLID-FUEL EQUIPMENT MAY NOT BE COMBINED WITH EXHAUST SYSTEMS SERVING OTHER (NON-SOLID FUEL) COOKING EQUIPMENT**

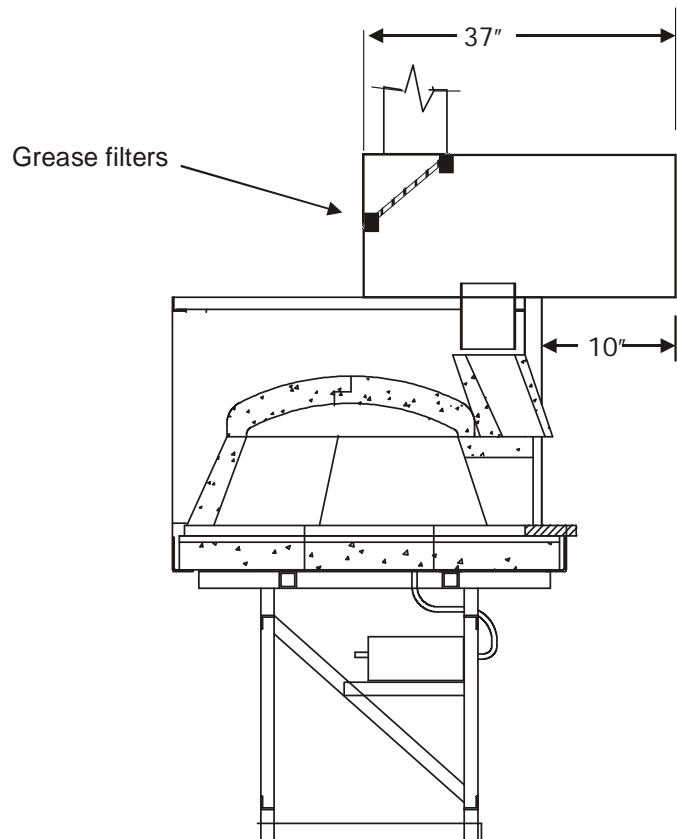
**Grease filters must be placed at the rear of the hood and must be of the steel baffle type (No mesh filters).**

**Front of hood must be at least 10 inches from the front of the oven face.**

**Face of the filter must be 42 inches from oven hearth per UMC or 48 inches per NFPA 96**

**Sides of the hood must extend a min. of 6 inches to either side of the oven door opening.**

**3 inch min. clearance between the hood and any combustible material.**



## **#2 - U.L. LISTED GREASE DUCT/BUILDING HEATING APPLIANCE CHIMNEY INSTALLATION (DIRECT VENTING)**

A U.L. listed Grease Duct/Building Heating Appliance Chimney may be connected to the opening in the primary hood of the oven. Refer to Fig. 18, pg. 9 (10 for residential applications). For specific installation requirements refer to Selkirk Metalbestos Model PS and IPS Grease Duct Installation Instructions (Numbers 8 or 9) or Metal-Fab IPIC Installation Instructions.

Volume: 150-200 CFM located at stainless adapter selevel (Model Exhausto GSV-009 or 012 Fan)

Grease Duct Models:

Metal-Fab IPIC ([metal-fabcommercial.com](http://metal-fabcommercial.com)) or Selkirk Metalbestos Model IPS ([selkirkcorp.com](http://selkirkcorp.com))

Model 90 and 110 require a 6 inch interior diameter grease duct

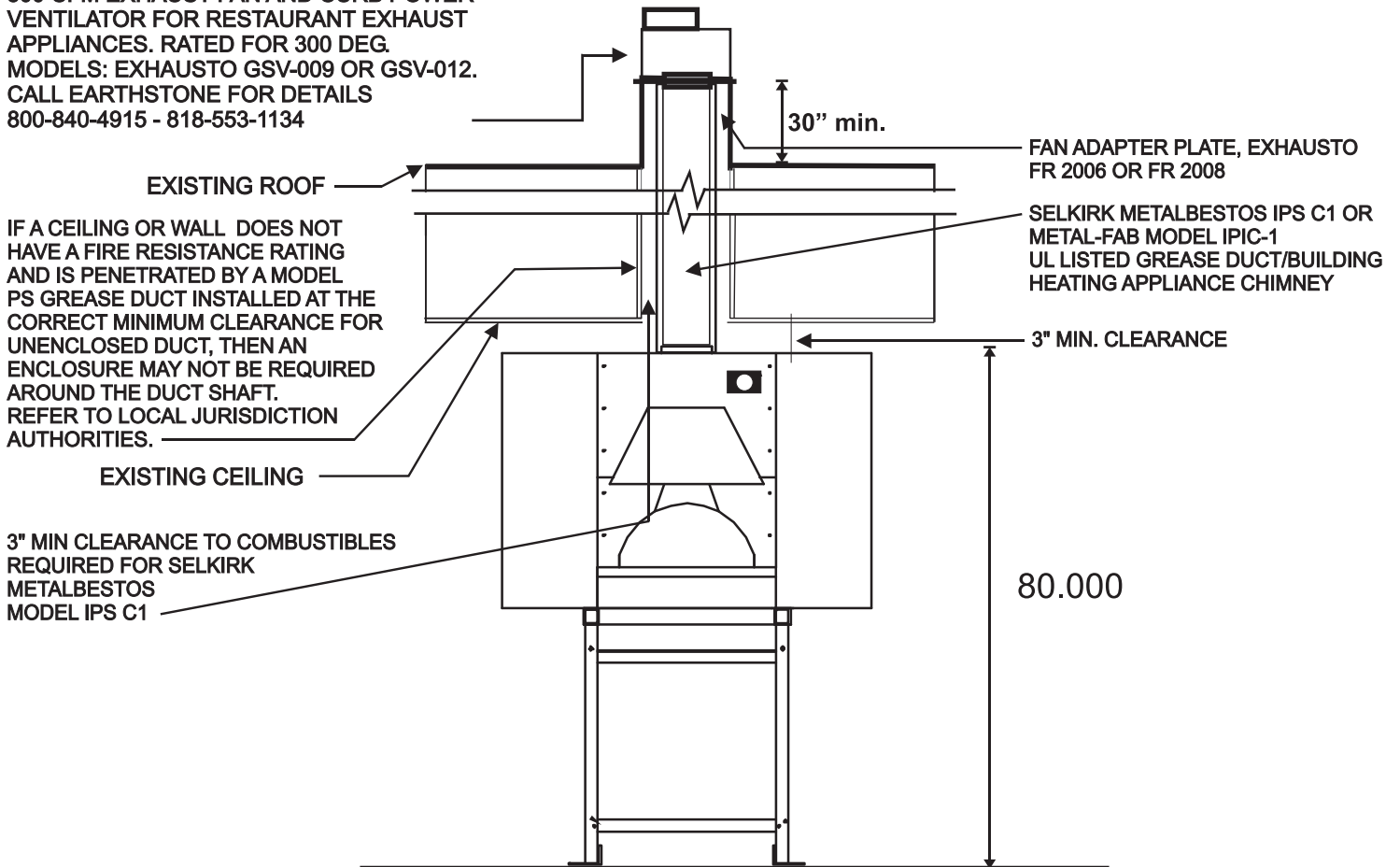
Models 130 and 160 require an 8 inch interior diameter grease duct.

# COMMERCIAL DIRECT VENTING

FOR ORDERING PARTS MENTIONED ON THIS PAGE CONTACT EARTHSTONE OR YOUR SUPPLIER. Tel: 800-840-4915- 818-553-1134

**MODELS 90 & 110 USE 6 INCH INSIDE DIAMETER GREASE DUCT**  
**MODELS 130 & 160 USE 8 INCH INSIDE DIAMETER GREASE DUCT**

500 CFM EXHAUST FAN AND CURB POWER VENTILATOR FOR RESTAURANT EXHAUST APPLIANCES. RATED FOR 300 DEG. MODELS: EXHAUSTO GSV-009 OR GSV-012. CALL EARTHSTONE FOR DETAILS 800-840-4915 - 818-553-1134



**FIGURE 18**

GREASE DUCT HEATING APPLIANCE CHIMNEY ATTACHED TO PRIMARY HOOD

THIS DIAGRAM GENERALLY DEPICTS THE INSTALLATION REQUIRED TO MAINTAIN THE U.L. LISTING OF THE OVEN FOR THIS TYPE OF VENTING APPLICATION.

FOR SPECIFIC INSTALLATION REQUIREMENTS REFER TO SELKIRK METALBESTOS MODEL IPS GREASE DUCT INSTALLATION 8. MODEL PS AND IPS GREASE DUCT COMPLIES WITH NFPA, SBCCI, ICBO AND BOCA WHEN PROPERLY INSTALLED PER ITS INSTALLATION INSTRUCTIONS.

CONTACT LOCAL AUTHORITY HAVING JURISDICTION REGARDING FIRE RATED DUCT SHAFT.

NOTE: OTHER U.L. LISTED SYSTEMS MAY BE SUBSTITUTED FOR THE METALBESTOS SYSTEM DEPICTED IN THIS DIAGRAM. TO MAINTAIN THE U.L. LISTING OF THE OVEN THE SYSTEM MUST BE A U.L. LISTED GREASE DUCT WHICH IS ALSO A U.L. LISTED BUILDING HEATING APPLIANCE CHIMNEY INSTALLED IN ACCORDANCE WITH THE MANUFACTURER'S GREASE DUCT INSTALLATION INSTRUCTIONS.