

## RESIDENTIAL VENTING APPLICATION

A U.L. LISTED GREASE DUCT/BUILDING HEATING APPLIANCE CHIMNEY INSTALLATION (DIRECT VENTING). PLEASE CONFIRM WITH THE LOCAL BUILDING DEPT. BEFORE BEGINNING INSTALLATION OF THE OVEN. **IT IS NEVER APPROPRIATE TO USE "CLASS A" OR "B VENT" IN ANY PART OF THE EXHAUST SYSTEM. EXHAUST SYSTEMS SERVING SOLID-FUEL EQUIPMENT MAY NOT BE COMBINED WITH EXHAUST SYSTEMS SERVING OTHER (NON-SOLID FUEL) COOKING EQUIPMENT**

Important: Chases should be made of non-combustible materials.

### U.L. LISTED GREASE DUCT/BUILDING HEATING APPLIANCE CHIMNEY INSTALLATION (DIRECT VENTING)

A U.L. listed Grease Duct/Building Heating Appliance Chimney may be connected to the opening in the primary hood of the oven. Refer to Fig. 18, pg. 8. For specific installation requirements refer to Selkirk Metalbestos Model PS and IPS Grease Duct Installation Instructions (Numbers 8 or 9) or Metal-Fab IPIC Installation Instructions. All gas fired ovens should have an exhaust fan located at the top of the venting duct. Refer to manufacture for more information.

#### Duct Models

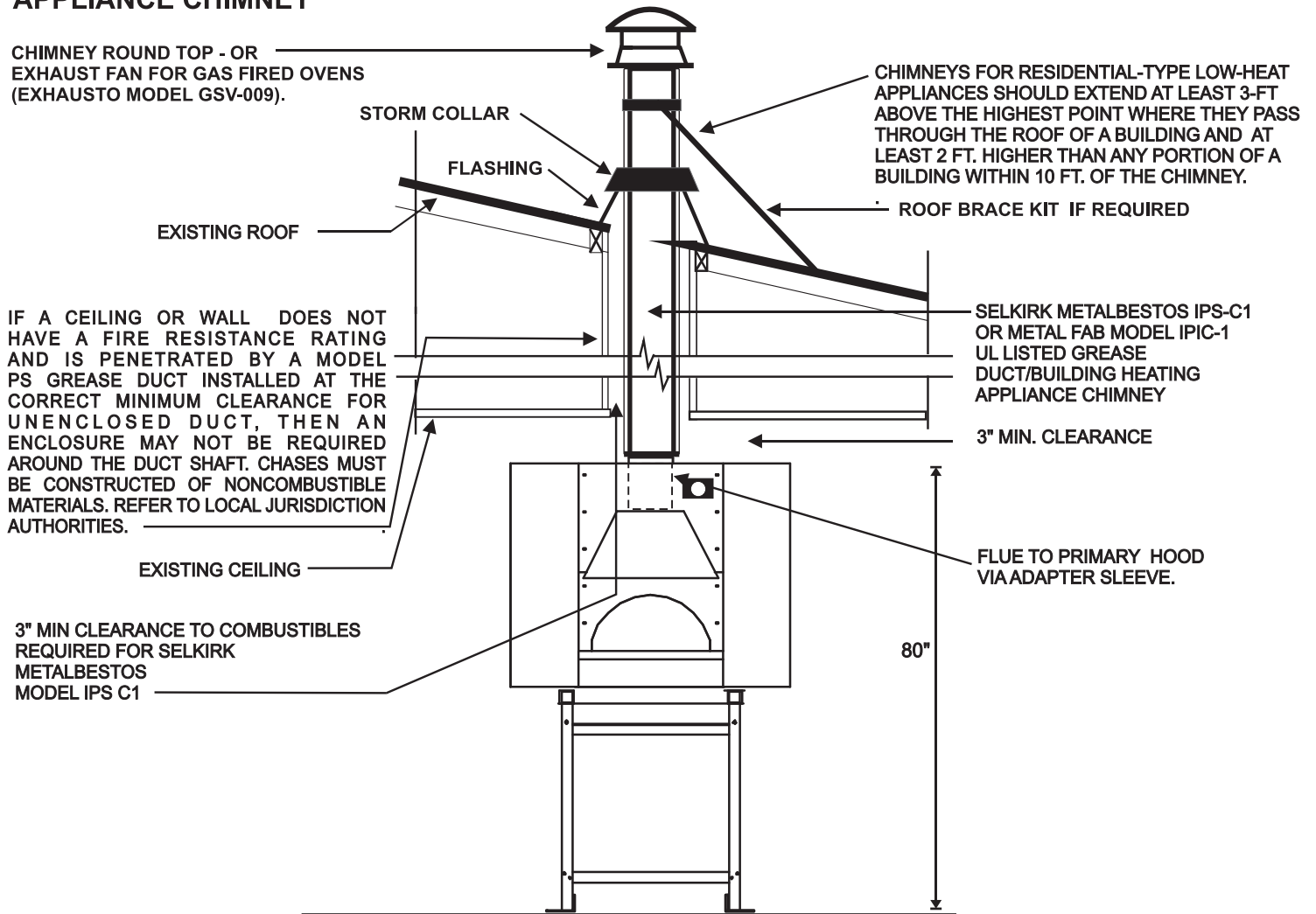
Metal-Fab IPIC  
([www.metal-fabcommercial.com](http://www.metal-fabcommercial.com))  
Selkirk Metalbestos Model IPS  
([www.selkirkcorp.com](http://www.selkirkcorp.com))

Exhaust Fan Models: Exhausto GSV-009

# RESIDENTIAL DIRECT VENTING

FOR ORDERING PARTS MENTIONED ON THIS PAGE CONTACT EARTHSTONE 800-840-4915 OR YOUR SUPPLIER.

## MODELS 60 & 90 & 110 USE 6 INCH INSIDE DIAMETER GREASE DUCT/BUILDING HEATING APPLIANCE CHIMNEY



**FIGURE 18**

### GREASE DUCT HEATING APPLIANCE CHIMNEY ATTACHED TO PRIMARY HOOD

THIS DIAGRAM GENERALLY DEPICTS THE INSTALLATION REQUIRED TO MAINTAIN THE U.L. LISTING OF THE OVEN FOR THIS TYPE OF VENTING APPLICATION.

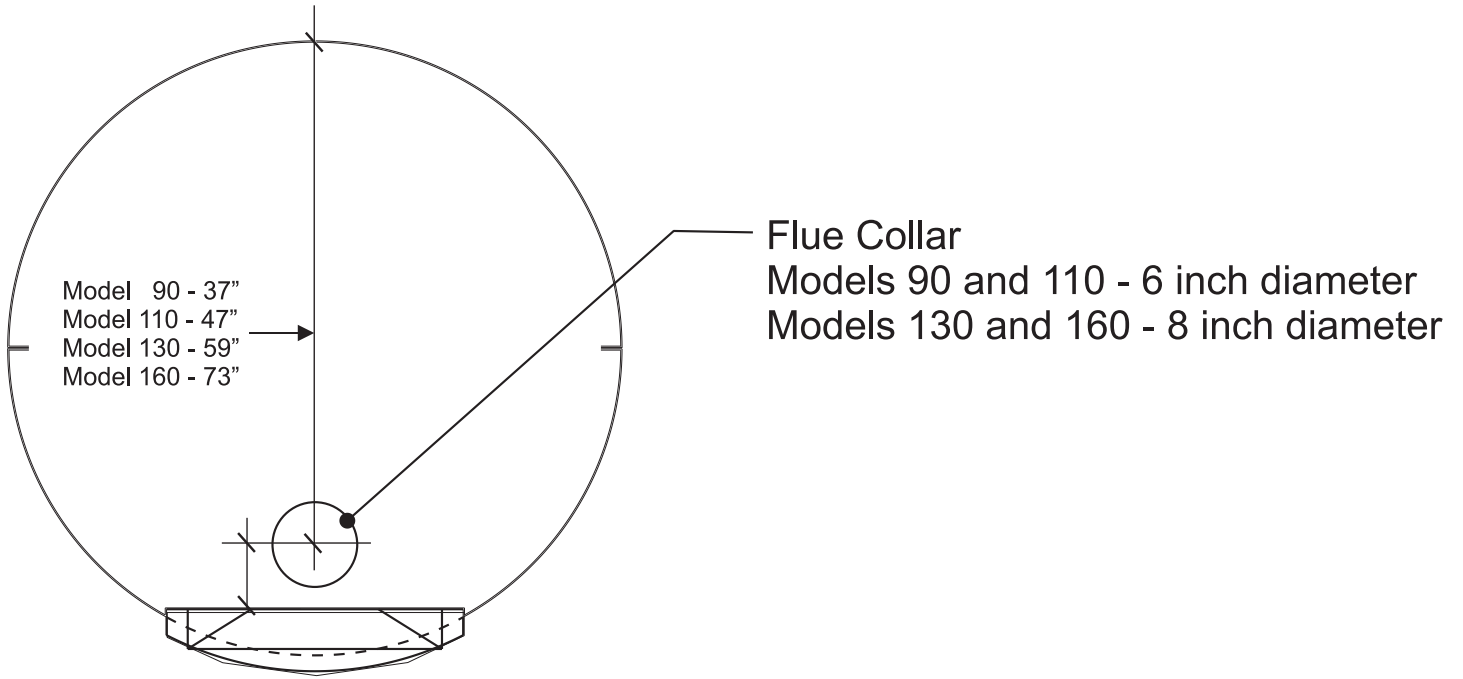
FOR SPECIFIC INSTALLATION REQUIREMENTS REFER TO SELKIRK METALBESTOS MODEL IPS GREASE DUCT INSTALLATION 8. MODEL PS AND IPS GREASE DUCT COMPLIES WITH NFPA, SBCCI, ICBO AND BOCA WHEN PROPERLY INSTALLED PER ITS INSTALLATION INSTRUCTIONS.

CONTACT LOCAL AUTHORITY HAVING JURISDICTION REGARDING FIRE RATED DUCT SHAFT.

NOTE: OTHER U.L. LISTED SYSTEMS MAY BE SUBSTITUTED FOR THE METALBESTOS SYSTEM DEPICTED IN THIS DIAGRAM. TO MAINTAIN THE U.L. LISTING OF THE OVEN THE SYSTEM MUST BE A U.L. LISTED GREASE DUCT WHICH IS ALSO A U.L. LISTED BUILDING HEATING APPLIANCE CHIMNEY INSTALLED IN ACCORDANCE WITH THE MANUFACTURER'S GREASE DUCT INSTALLATION INSTRUCTIONS.



RESIDENTIAL PRE-ASSEMBLED VENTING DETAILS  
FOR PA, PAG AND PAGW MODELS.



Model 60-PA, PAG and PAGW

