

# MODEL 90-PAGW

## GAS FIRED & GAS/WOOD COMBINATION OVEN

The Model 90-PAGW gas/wood combination oven contains all the same high quality features and components as the Model 90-PA wood fire oven. In addition to the Model 90-PA the Model 90-PAGW has three models of operation: Gas fired, Gas and Wood combination and Wood fired.

Our heavy-duty gas burner system is engineered for optimum performance and long term reliable operation through a straightforward design and the use of high quality components. The solenoid based burner control automatically adjusts flame height and intensity to maintain the preset temperature. All our PAGW models are manufactured in Los Angeles.

Interior diameter 35"

Oven entrance opening: 20" wide by 9 1/2" high

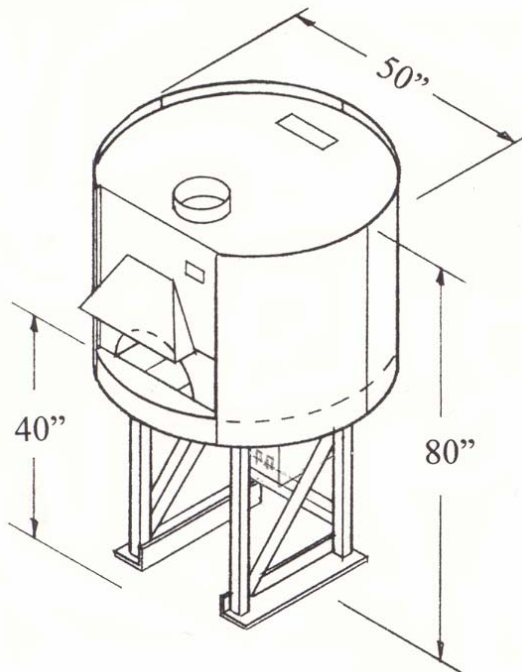
Clearance to combustible sidewalls: 1 inch

Weight: 2500 lb.

Pizza Capacities:

8" Pizzas: 3-4

12" Pizzas: 2-3



Gas Requirement: 3/4 inch gas outlet- 7" W.C. (LP GAS 10")

BTU's: 90,000

Electrical Requirement: 120 VAC/ 3 AMP



Also in Accordance  
With NSFI Standard 4

LA Research Report No. : RR-7813

New York MEA No.: 207-98E



### Ovens come standard with:

- Factory finished gray paint
- Digital thermometer controller, Probe & Power supply
- Heavy duty gas burner system recessed in floor
- Ceramic fire logs
- Cast aluminum door
- Granite shelf
- Hood cover (s/s or copper)
- Shelf apron (s/s or copper)
- S/S Flue adapter
- Metal pizza peel
- 5 year limited warranty

*Custom options and finishes available*



*Ceramic fire logs*

## EARTHSTONE

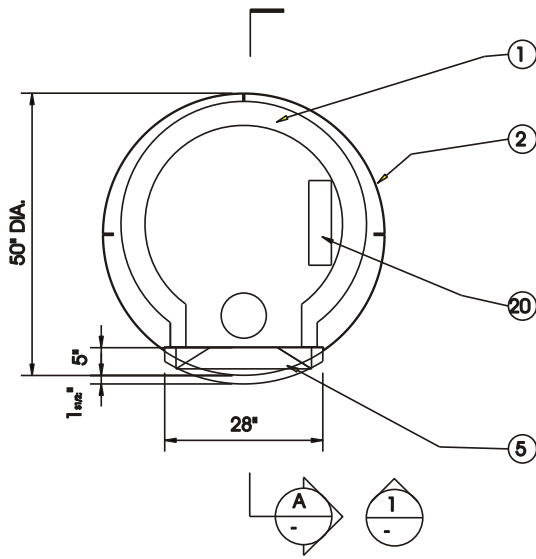
### WOOD-FIRE OVENS

6717 San Fernando Rd. Glendale CA 91201

Tel: 800-840-4915 - 818-553-1134 Fax: 818-553-1133

[www.earthstoneovens.com](http://www.earthstoneovens.com)

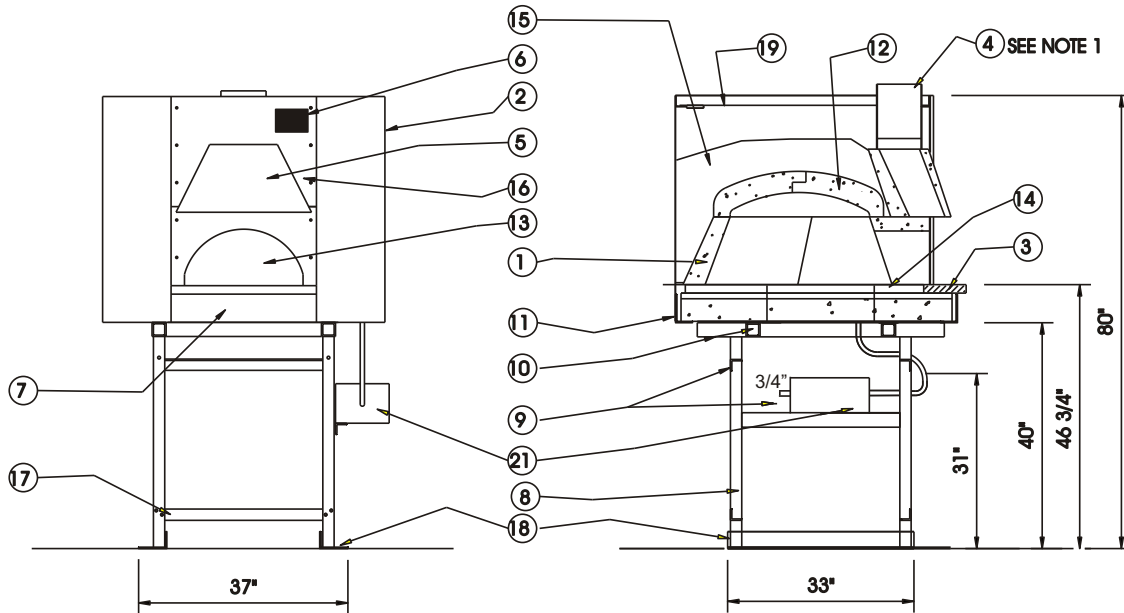
*Specifications to change without notice. revised January 2001*



PLAN

LEGEND

- ①. 4"-6" REFRACTORY WALL PIECES
2. 16 GA. CURVED STEEL PANELS
3. GRANITE SHELF (STANDARD)
4. EXHAUST FLUE
5. EYEBROW HOOD W/ COVER (S.S. OR BRASS)
6. TEMP. CONTROL READOUT PANEL
7. FRONT APRON (S.S. OR BRASS)
8. 2" TUBE STEEL
9. 2" STEEL ANGLE BRACING
10. 2 1/2" TUBE STEEL
11. 5"X3" PERIMETER CURVED STEEL ANGLE
12. TEMPERATURE PROBE
13. 20 1/2"X9 1/2" OVEN ENTRANCE
14. OVEN FLOOR TILES (12"X12")
15. HARDENED INSULATION FILL
16. 1/8" FRONT STEEL PLATES (BLACK)
17. 2" STEEL ANGLE (REMOVEABLE)
18. 5"X3" STEEL ANGLE BASE
19. STEEL LID W/ 4"X16" SCREEN VENT IN REAR
20. GAS BURNER SYSTEM RECESSED IN FLOOR
21. GAS BURNER OPERATING SYSTEMS BOX FLEX HOSE AND (1) 72" POWER CORD



FRONT ELEVATION-1

SECTION-A

NOTES:

1. VENTING APPLICATIONS: USE EITHER A U.L. LISTED GREASE DUCT/BUILDING HEATING APPLIANCE CHIMNEY OR U.L. LISTED TYPE 1 EXHAUST HOOD.
2. EXTERIOR SHEEL AND ALL STEEL PARTS ARE FACTORY FINISHED IN GRAY. (OTHER COLOR OPTIONS AVAILABLE).
3. GAS REQUIREMENTS: 3/4" GAS OUTLET.
4. ELECTRICAL REQUIREMENTS: 120 VOLT AC OUTLET / 3 AMPS

GAS OUTPUT: 90,000 BTUS

SPECIFICATIONS ARE SUBJECT TO CHANGE WITHOUT NOTICE.

SCALE: 3/8"=1'-0"

**EARTHSTONE**  
WOOD-FIRE OVENS  
8717 SAN FERNANDO RD  
GLENDALE CA 91201  
TEL: 818-553-1134 FAX: 818-553-1133

DATE: 10-20-96  
REVISION: 5/12/2005

TITLE:  
MODEL 90-PAGW  
GAS AND/OR WOOD FIRED OVEN

SHEET NO.